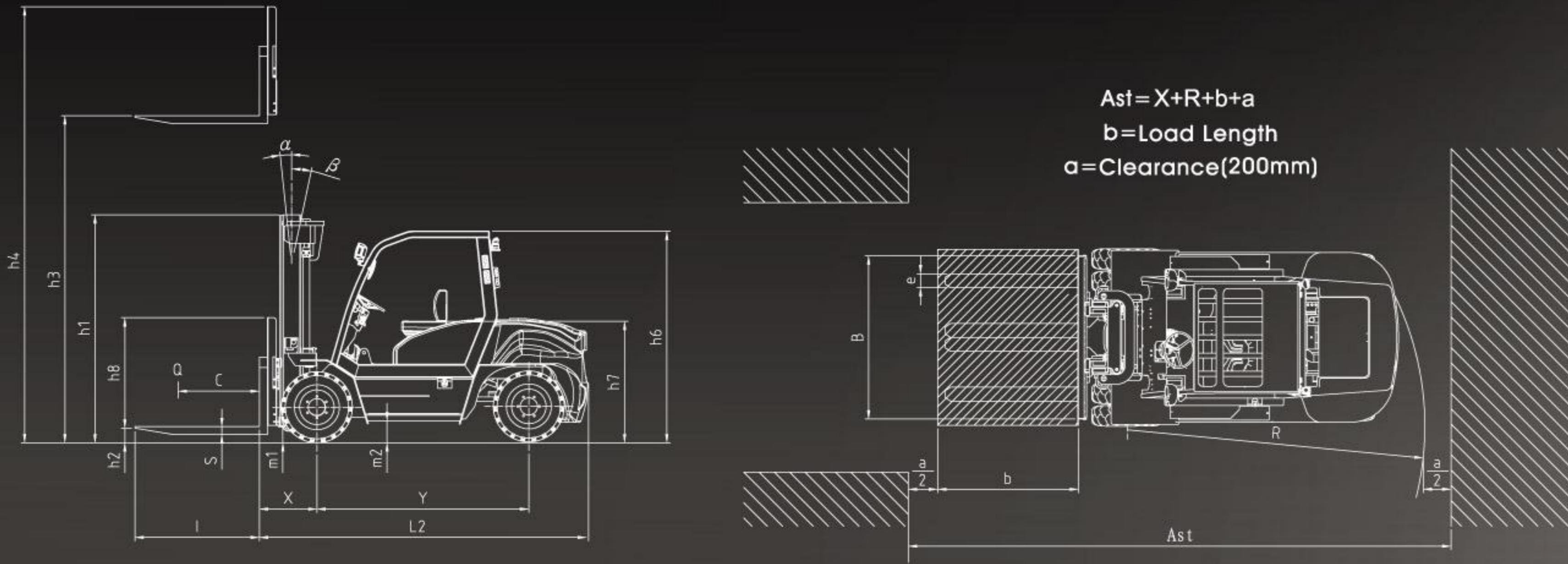


Tailift's Commitment & Vision

- To be a strong partner
- Provide the toughest trucks for even the most challenging applications
- Environmentally friendly with less emissions and the lowest fuel consumption
- To extend customer service worldwide to satisfy all customer need



6-10ton

I.C FORKLIFT TRUCKS

Tailift Group

GROUP HEAD OFFICE :

No. 269, Sec 1, Shein Lin Rd., Taichung, Taiwan. (R.O.C.) TEL:+886-4-25666100 FAX:+886-4-25671670
 Website: <http://www.tailift.com.tw> E-mail: insales@tailift.com.tw

TAIWAN MAIN OFFICE (I) :

No.170,Cheng Kung 3rd Rd.,NanKang,Nantou 540,Taiwan(R.O.C) TEL:+886-49-2254300 FAX:+886-49-2254302

TAIWAN MAIN OFFICE (II) :

No.5,Zihli 1st Rd., NanKang,Nantou 540,Taiwan(R.O.C) TEL:+886-49-2263800 FAX:+886-49-2258979



CE ISO9001:2008



Tailift I.C 6-10 ton Forklift Trucks

DOC. S/N:DEB031 Edition: 04

Heavy-duty machines For heavy-duty jobs.

With over 30 years of manufacturing experience in forklift trucks, Tailift specifically designed for heavy lifting applications. The 6-10 ton trucks in the Tailift professional line include all the safety and efficiency features we're known for.



OPERATION

Your new Tailift forklift is loaded with features **Safety** **Comfort** **Efficiency**



Easy entry and exit

A low floor height and non-slip steel steps provide a safe entry and exit from the cab.



Tiltable steering column

The steering column can be adjusted to accommodate any size operator in comfort.



Hydraulic steering system

The hydraulic systems delivers light steering, quick and accurate response and a small turning radius.



Mast lock system (optional)

The mast lock system automatically locks all lifting and tilting functions when the operator leaves the seat.



Electronic accelerator pedal

Offering controllable engine speed and quick respond is to shorten timing of accelerating.



Deluxe suspension seat (optional)

The Grammer suspension seat allow greater range of tilting and fore/aft adjustment as well as weight adjustment to accommodate all size operators.



High visibility head guard

Excellent visibility is maintained through the heavy-duty safety cage.



1 Mini lever (optional)

The lifting and tilting function integrated in the mini lever enables a quick direction and operation. This guarantees fast maneuverable operation.

2 Electronic forward/reverse lever (optional)

The forward/reverse lever offer easy accessible fingertip control. It is easy to reach and also for fast and easy directional changes. Using the electric solenoid to control F/R also improved flexibility of operation.

Standard Equipment

More powerful, more durable



Stable double front wheel



Wide angle rearview mirror



Exhaust pipe, upward

Powerful

OKAMURA TRANSMISSION

The Okamura transmission was developed specifically for forklifts and other types of industrial vehicles. By reversing the direction of the stator it effectively doubles the torque and delivers driving speed in low gear that would typically be produced in 2nd gear.



ADVANTAGES:

1. smoother driving with fewer shifts.
2. greatly increased torque ratio.
3. much less wear on the shifting components, improving performance, durability and cost-effectiveness.

PERKINS 1106D ENGINE

The six-cylinder Perkins 1106D has almost 30% more horsepower than other engines in its class. It incorporates a high pressure common rail fuel system, multi-port fuel injection and oil injection pressure of 23000psi to deliver higher efficiency than previous generations of engines. The exhaust system adheres to EU stage III and US EPA Tier III environmental exhaust standard while improving engine noise by 3-5% over previous versions and improving fuel consumption. The ECU electronic control system is completely digital with engine self-diagnosis and protection features built in.

1106D	
Horsepower	117kWm@2200 rpm
Max torque	683NM@1400 rpm
Displacement	6.6 Liters
Fuel system	HEUI (Common Rail)
Speed adjustment system	ECM
Certificate	EU STAGE III US EPA TIER III

